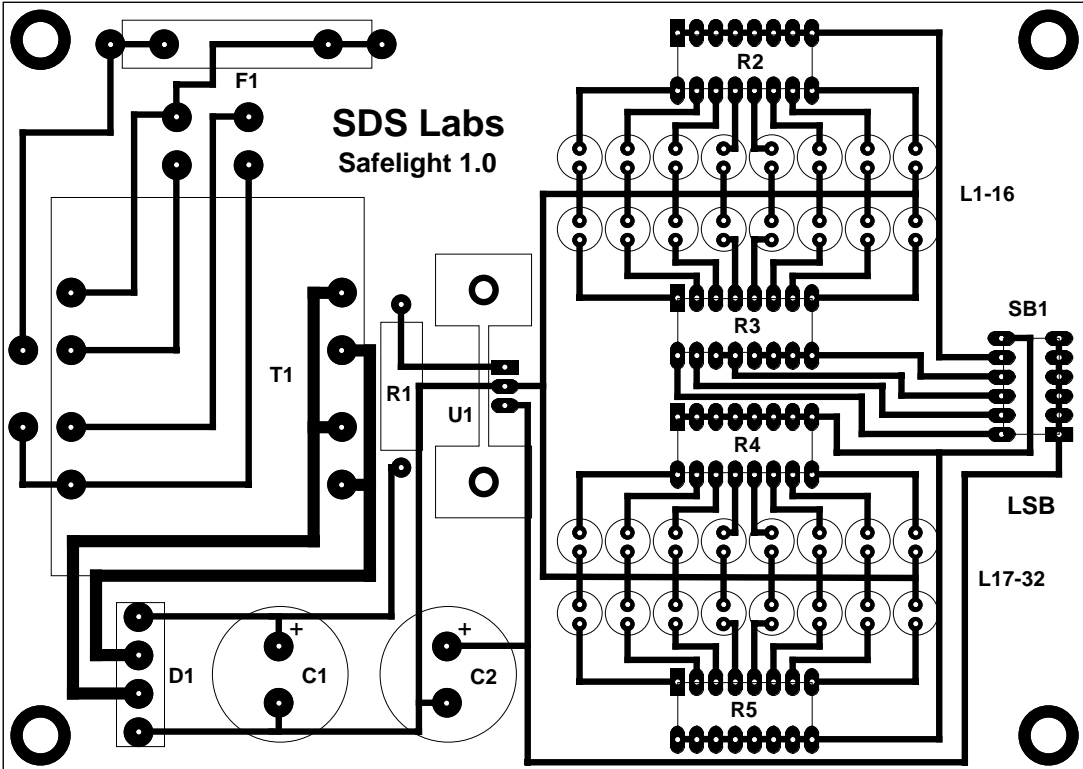
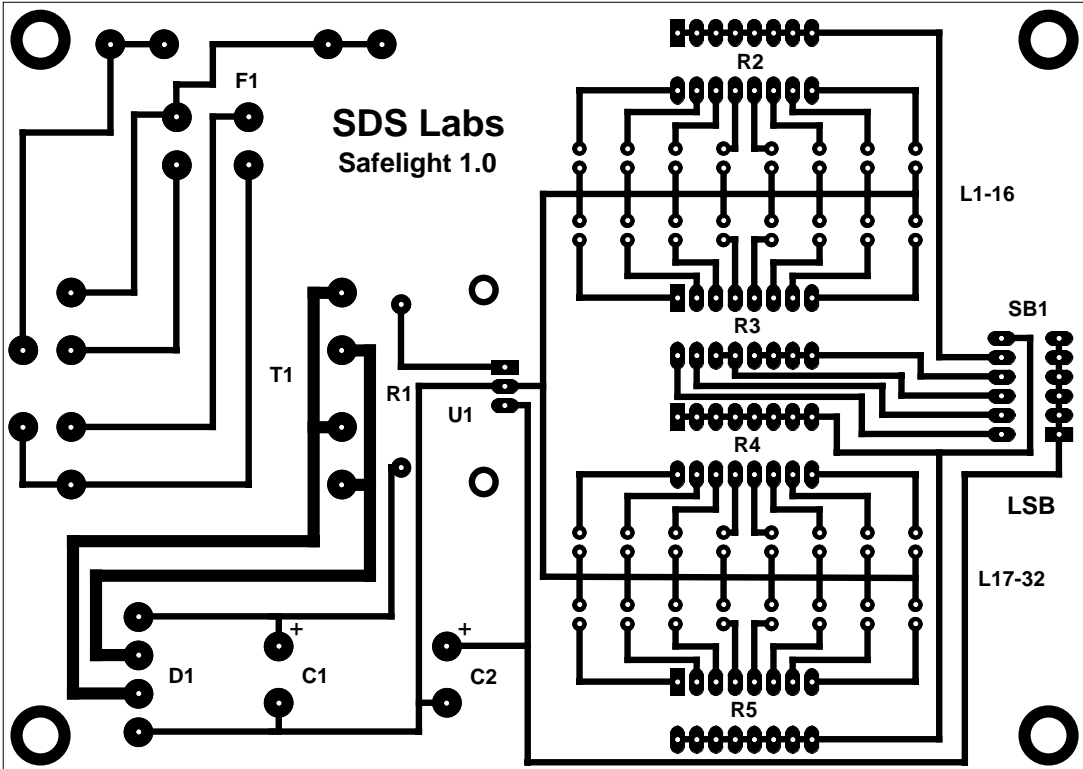


**SDS Labs**  
**Darkroom Safelight 1.0**  
 October 20, 1999





## safelight parts list

Part No.	Description	Price	Digikey Part No.
C1	4700 uF 16 volt cap	\$2.44	P5690-ND
C2	10000 uF 6.3 volt cap	\$2.38	P5628-ND
D1	4 amp diode bridge	\$1.56	RS401LMS-ND
F1	0.25 amp fuse	\$2.97	283-2034-ND
L1	Red LED	\$0.87	P408-ND
L2	Red LED	\$0.87	P408-ND
L3	Red LED	\$0.87	P408-ND
L4	Red LED	\$0.87	P408-ND
L5	Red LED	\$0.87	P408-ND
L6	Red LED	\$0.87	P408-ND
L7	Red LED	\$0.87	P408-ND
L8	Red LED	\$0.87	P408-ND
L9	Red LED	\$0.87	P408-ND
L10	Red LED	\$0.87	P408-ND
L11	Red LED	\$0.87	P408-ND
L12	Red LED	\$0.87	P408-ND
L13	Red LED	\$0.87	P408-ND
L14	Red LED	\$0.87	P408-ND
L15	Red LED	\$0.87	P408-ND
L16	Red LED	\$0.87	P408-ND
L17	Red LED	\$0.87	P408-ND
L18	Red LED	\$0.87	P408-ND
L19	Red LED	\$0.87	P408-ND
L20	Red LED	\$0.87	P408-ND
L21	Red LED	\$0.87	P408-ND
L22	Red LED	\$0.87	P408-ND
L23	Red LED	\$0.87	P408-ND
L24	Red LED	\$0.87	P408-ND
L25	Red LED	\$0.87	P408-ND
L26	Red LED	\$0.87	P408-ND
L27	Red LED	\$0.87	P408-ND
L28	Red LED	\$0.87	P408-ND
L29	Red LED	\$0.87	P408-ND
L30	Red LED	\$0.87	P408-ND
L31	Red LED	\$0.87	P408-ND
L32	Red LED	\$0.87	P408-ND
R1	1 Ohm 2 watt resistor	\$0.23	1.0W-2-ND
R2	100 Ohm Resistor Network	\$0.71	761-3-R100-ND
R3	100 Ohm Resistor Network	\$0.71	761-3-R100-ND
R4	100 Ohm Resistor Network	\$0.71	761-3-R100-ND
R5	100 Ohm Resistor Network	\$0.71	761-3-R100-ND
SB1	6 position dip switch	\$1.35	GH1106-ND
T1	8 volt 12 VA transformer	\$9.63	MT2108-ND
U1	5 Volt regulator	\$0.60	NJM7805FA-ND
Extras:			
case	Bud PN-1324-C	\$18.50	
heat sink	Power Cooler	\$1.30	HS131-ND
fuse clips	PC mount fuse clips	\$1.14	F040-ND
	Total:	\$72.78	

